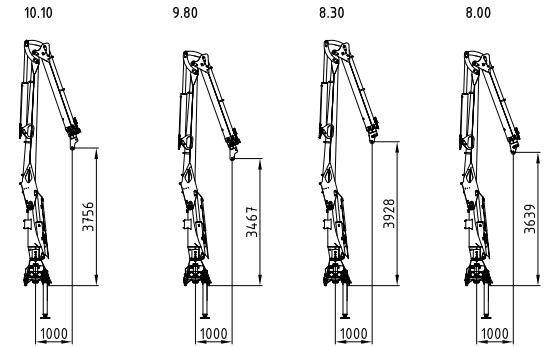
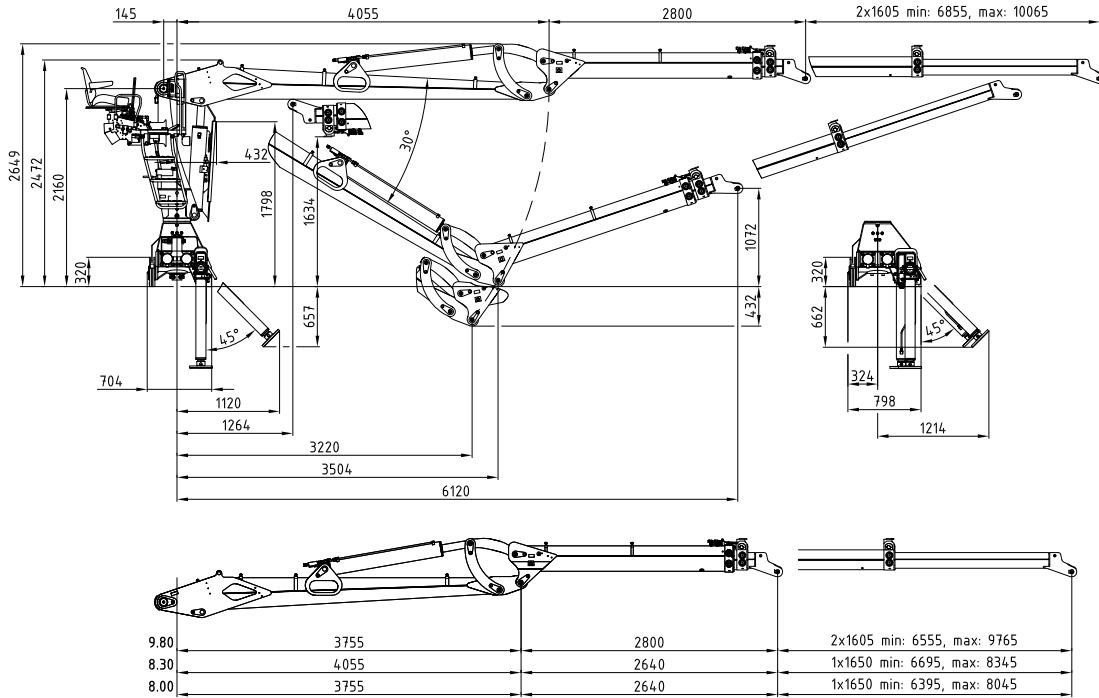


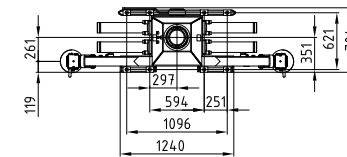
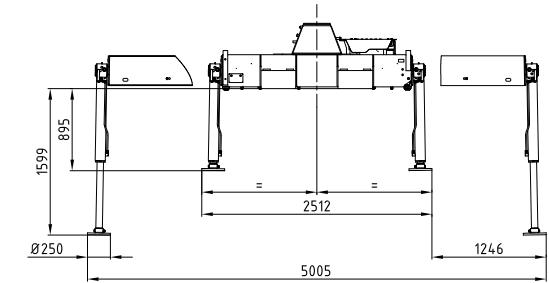
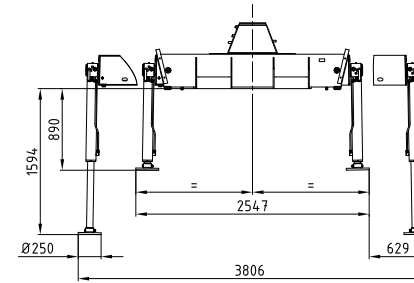
# 15 L 16 Lp+

132 - 151 kNm	8 - 10,1 m	3,5 - 3,9 m	3,8 - 5 m	2.205 - 2.490 kg	415°	25 kNm	260 - 300 bar	1x Minimum 80 l/min ~ 40 kW	2x Minimum 65 l/min ~ 66 kW	LS Minimum 150 l/min ~ 76 kW

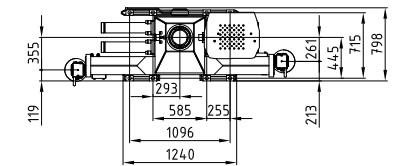


Socket small  
Crane base small

Socket wide  
Crane base wide

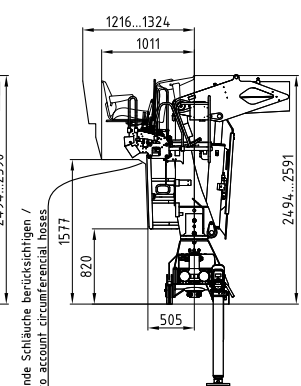
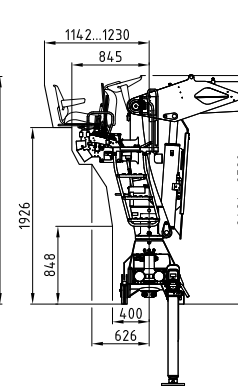
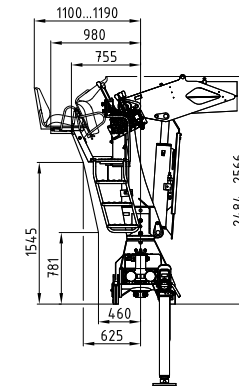
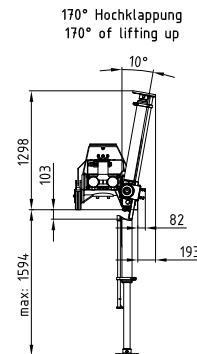


Rücksitz 01  
Back seat 01



Rücksitz 02 universal  
Back seat 02 universal  
Seitensitz 02 universal rechts & links  
Side seat 02 universal right & left

15L.10.10	3250	2675	2225	1900	1640	1435	[kg]	
16Lp+10.10	3600	2960	2460	2100	1810	1585	[kg]	
15L.9.80	3260	2685	2230	1910	1650	1440	[kg]	
16Lp+9.80	3610	2970	2465	2110	1820	1590	[kg]	
15L.8.30	3330	2755	2300	1965	1705		[kg]	
16Lp+8.30	3690	3050	2545	2170	1885		[kg]	
15L.8.00	3345	2775	2315	1980			[kg]	
16Lp+8.00	3710	3070	2560	2190			[kg]	
		4m	5m	6m	7m	8m	9m	



Umlaufende Schläuche berücksichtigen /  
Take into account circumferential hoses.