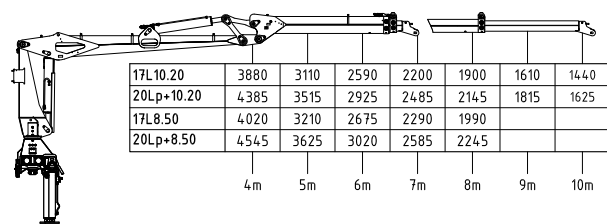
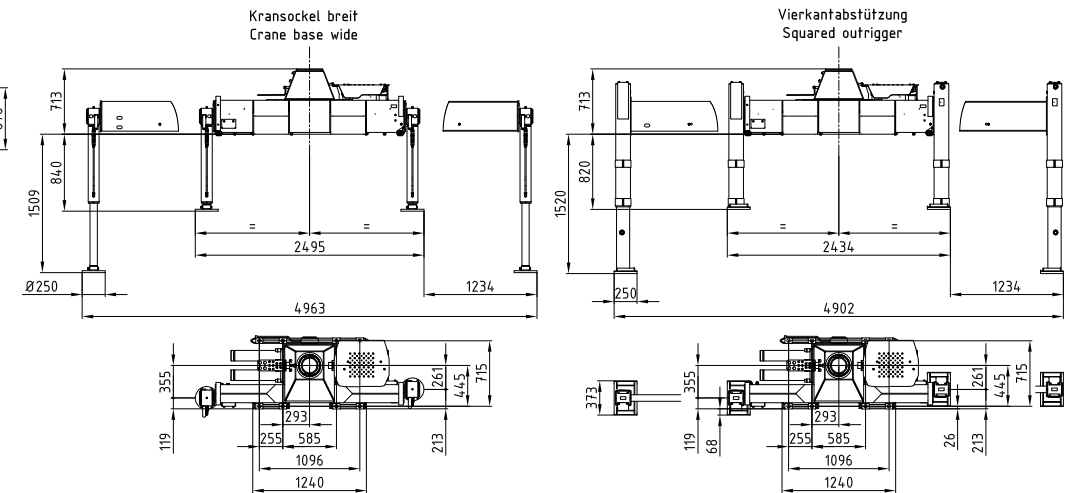
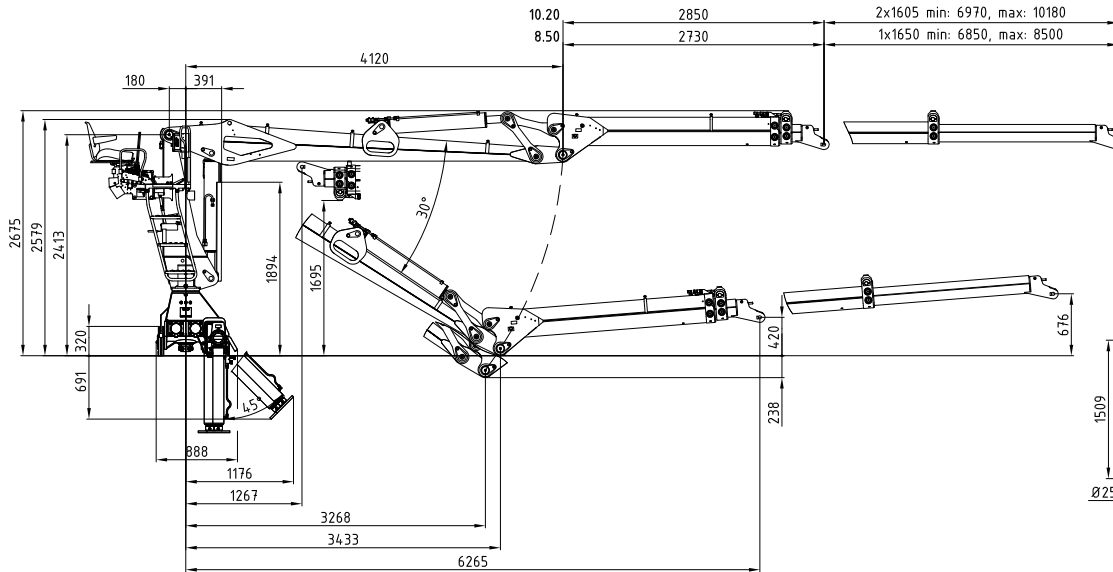
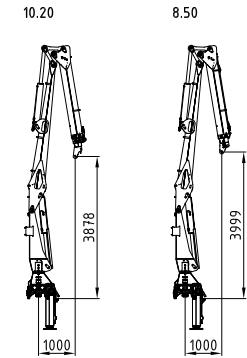


17L 20Lp+

153 - 179 kNm	8,5 - 10,2 m	3,9 - 4 m	5 m	2.770 - 2.920 kg	415°	30 kNm	265 - 300 bar	2x Minimum 75 l/min ~ 75 kW	LS Minimum 150 l/min ~ 78 kW



		4m	5m	6m	7m	8m	9m	10m	
17L10.20	3880	3110	2590	2200	1900	1610	1440		[kg]
20Lp+10.20	4385	3515	2925	2485	2145	1815	1625		[kg]
17L8.50	4020	3210	2675	2290	1990				[kg]
20Lp+8.50	4545	3625	3020	2585	2245				[kg]

