

PORTAALARMSYSTEMEN

/ Skiploader Systems



VDL Containersystemen specifically develops skiploaders for optimum range and stability. The hexagonal lifting arms feature dual operation, which provides maximum flexibility. Besides the modern look the angled type liftingarms contributes to efficient manoeuvring in tight areas.

Even sloping containers can conveniently be lifted and placed. Thanks to VDL's experience with steel fabrication we have managed to limit the welding on skiploader systems. This in turn creates additional strength and a well finished construction.

BENEFITS OF THE PORTAALARMSYSTEMEMEN



- CHEM standard skip, capacity 13 ton, on picture with cabin protection fence and integrated sheeting system.

- Support legs and sliding arms can operate independently, 1.2 or 3 tipping hooks.



- 6 and 8 ton skiploader ideal for tight areas.

- Fixed or adjustable (hydraulic and manual) skip stops



- Capacity 18 ton, both in fixed and telescopic version.

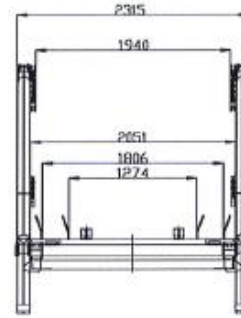
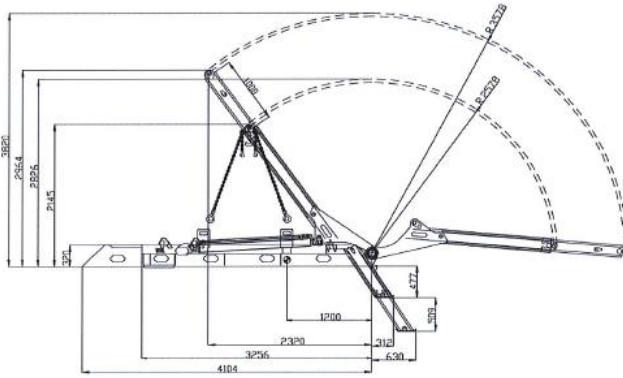
- Integrated lightconsoles



- Rear light covers.

VDL Containersystemen

Technical specifications skiploader VDL-P 8 TK



Hydraulics data:

Operating pressure: 320bar
 Capacity oil tank: 40L Bruto
 Flow: 30L – 40L / min

General:

System weight not mounted
 no options: 1.510 kg
 Maximum cap: 8.000 kg

Operating times**

Lift of to groundlevel app.: 33 – 42 sec
 Arms out app.: 8 – 10 sec
 Arms in app.: 3 – 5 sec

**Theoretical oil flow of 40L/min

Capacity **

Lifting capacity from ground level: 8.000 kg
 (armlength 2580mm)
 Lifting capacity from ground level: 5.200 kg
 (armlength 3580mm)
 Lifting capacity 800mm beneath ground level: 5.200 kg
 (armlength 2580mm)

** Capacity indication, taking into consideration stability, depending of the chassis type and wheel base.

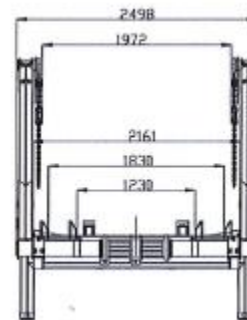
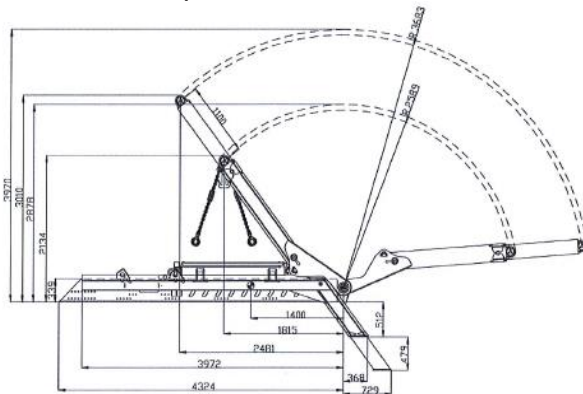
** Depending of the chain length.

Containers:

Containers according to DIN 30720 tot 10m³,
 Symmetric en asymmetric DIN 30730,
 Options for special containers K1.

VDL Containersystemen

Technical specifications skiploader VDL-P 10 TK



Hydraulics data:

Operating pressure: 320bar
 Capacity oil tank: 40L Bruto
 Flow: 50L – 60L / min

General:

System weight not mounted
 no options: 1.950 kg
 Maximum cap: 10.000 kg

Operating times**

Lift of to groundlevel app.: 26 – 36 sec
 Arms out app.: 13 – 17 sec
 Arms in app.: 8 – 11 sec

* Theoretical oil flow of 60L/min

**Theoretical oil flow of 80L/min

Capacity **

Lifting capacity from ground level: 10.000 kg
 (armlength 2880mm)
 Lifting capacity from ground level: 7.000 kg
 (armlength 4280mm)
 Lifting capacity 800mm beneath ground level: 9.000 kg
 (armlength 2880mm)

** Capacity indication, taking into consideration stability, depending of the chassis type and wheel base.

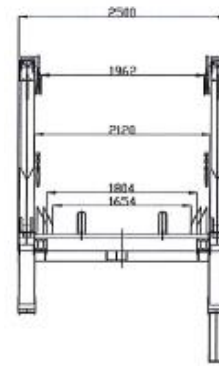
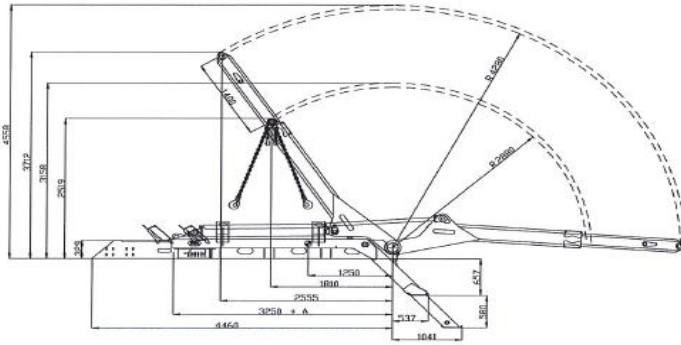
** Depending of the chain length.

Containers:

Containers according to DIN 30720 tot 20m³,
 Symmetric en asymmetric DIN 30730,
 Options for special containers K1.

VDL Containersystemen

Technical specifications skiploader VDL-P 13 TK



Hydraulics data:

Operating pressure:	320bar
Capacity oil tank:	80L Bruto
Flow:	60L – 80L / min

General:

System weight not mounted no options:	2.685 kg
Maximum cap:	14.000 kg

Operating times**

Lift of to groundlevel app.:	30 – 42 sec
Arms out app.:	10 – 14 sec
Arms in app.:	6 – 9 sec

**Theoretical oil flow of 40L/min

Capacity **

Lifting capacity from ground level: (armlength 2580mm)	13.500 kg
Lifting capacity from ground level: (armlength 3580mm)	9.000 kg
Lifting capacity 800mm beneath ground level: (armlength 2580mm)	9.000 kg

** Capacity indication, taking into consideration stability, depending of the chassis type and wheel base.

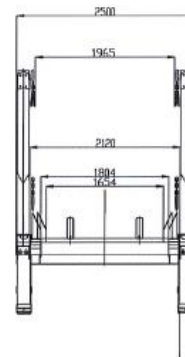
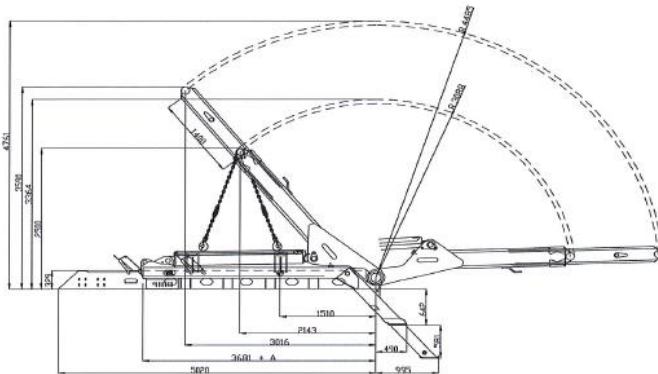
** Depending of the chain length.

Containers:

Containers according to DIN 30720 tot 20m³,
Symmetric en asymmetric DIN 30730,
Options for special containers K1.

VDL Containersystemen

Technical specifications skiploader VDL-P 18 TK



Hydraulics data:

Operating pressure:	320bar
Capacity oil tank:	80L Bruto
Flow:	60L – 80L / min

General:

System weight not mounted no options:	2.685kg
Maximum cap:	14.000 kg

Operating times**

Lift of to groundlevel app.:	30 – 42 sec
Arms out app.:	10 – 14 sec
Arms in app.:	6 – 9 sec

* Theoretical oil flow of 60L/min

**Theoretical oil flow of 80L/min

Capacity **

Lifting capacity from ground level: (armlength 2880mm)	13.500 kg
Lifting capacity from ground level: (armlength 4280mm)	9.000 kg
Lifting capacity 800mm beneath ground level: (armlength 2880mm)	9.000 kg

** Capacity indication, taking into consideration stability, depending of the chassis type and wheel base.

** Depending of the chain length.

Containers:

Containers according to DIN 30720 tot 20m³,
Symmetric en asymmetric DIN 30730,
Options for special containers K1.